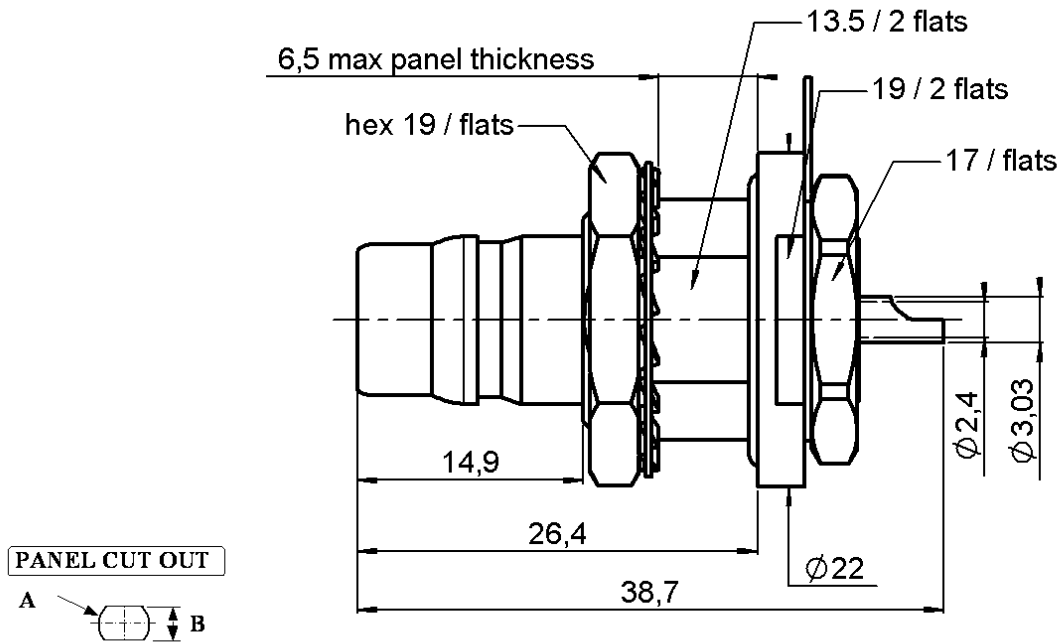


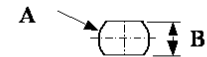
**STR. BULK. RECEPTACLE INTERNAL AND
PANEL SEAL REAR MOUNTING**

R164.606.000

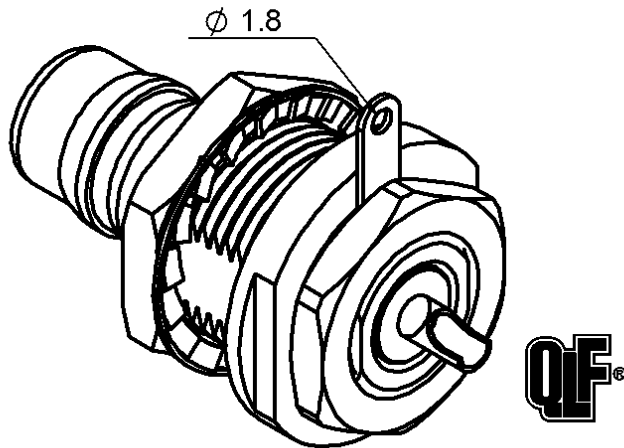
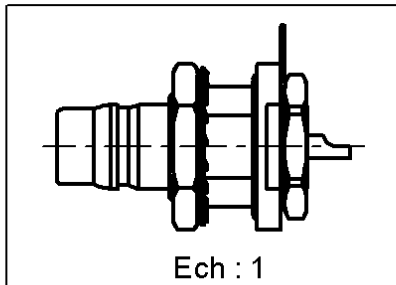
Series : QN



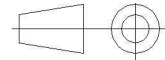
PANEL CUT OUT



mm		
	Maxi	mini
A	16.3	16
B	13.9	13.6



All dimensions are in mm.



COMPONENTS	MATERIALS	PLATINGS (μm)
BODY	BRASS	BBR 0.5 OVER SILVER 3
CENTER CONTACT	BERYLLIUM COPPER	GOLD 1.3 OVER COPPER 2.5
OUTER CONTACT		
INSULATOR	PTFE	
GASKET	SILICONE RUBBER	
OTHERS PARTS	BRASS	BBR 2
-	-	-
-	-	-

Issue : 0422 B

In the effort to improve our products, we reserve the right to make changes judged to be necessary.



**STR. BULK. RECEPTACLE INTERNAL AND
PANEL SEAL REAR MOUNTING**

R164.606.000

Series : QN

PACKAGING

Standard	Unit	Other
50	'W' option	Contact us

SPECIFICATION

ELECTRICAL CHARACTERISTICS

Impedance		50 Ω
Frequency		0-6* GHz
VSWR	1.6** +	0.000 x F(GHz) Maxi
Insertion loss		0.35 √F(GHz) dB Maxi
RF leakage	- (***90 - F(GHz)) dB Maxi
Voltage rating		1000 Veff Maxi
Dielectric withstanding voltage		2000 Veff mini
Insulation resistance		5000 MΩ mini

ENVIRONMENTAL

Operating temperature	-55/+125 ° C
Hermetic seal	Atm.cm3/s
Panel leakage	RUISS

OTHERS CHARACTERISTICS

Assembly instruction

Others :

- * Usable 0-11GHz
- ** Coaxial transmission line only
- ***RF Leakage: -80dB min 3<F<6GHz
- **** PMI3 : -112 dBm (2 x 20W at 1.8GHz)

MECHANICAL CHARACTERISTICS

Center contact retention		
Axial force – Mating end	27	N mini
Axial force – Opposite end	27	N mini
Torque	2.8	N.cm mini
Recommended torque		
Mating		N.cm
Panel nut	500	N.cm
Mating life	100	Cycles mini
Weight	35.900	g

Issue : 0422 B

In the effort to improve our products, we reserve the right to make changes judged to be necessary.

